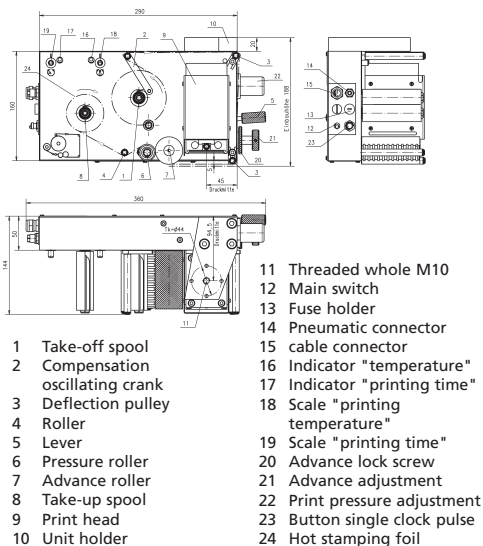


M05 Modular unit



- 180 prints / minute
- attractive pricing
- 50 x 80 mm printing area

Hot stamping unit in modular design with the print head attached on the side and a particularly large printing area. Especially suited for applications which require a large printing area or for applying entire text blocks. The position of the print head allows the printing process to be extended to the marginal area of the product. All functions can be set directly on the unit, without an additional control unit being necessary.



- | | |
|----------------------------------|---------------------------------|
| 1 Take-off spool | 11 Threaded whole M10 |
| 2 Compensation oscillating crank | 12 Main switch |
| 3 Deflection pulley | 13 Fuse holder |
| 4 Roller | 14 Pneumatic connector |
| 5 Lever | 15 cable connector |
| 6 Pressure roller | 16 Indicator "temperature" |
| 7 Advance roller | 17 Indicator "printing time" |
| 8 Take-up spool | 18 Scale "printing temperature" |
| 9 Print head | 19 Scale "printing time" |
| 10 Unit holder | 20 Advance lock screw |
| | 21 Advance adjustment |
| | 22 Print pressure adjustment |
| | 23 Button single clock pulse |
| | 24 Hot stamping foil |

Structural features

- Unit in modular design with integrated electronic control unit
- Simple feeding of the stamping foil
- Exact foil advance adjustment
- Safety device for printing block
- Electronic p-control for constant print head temperature
- Electronic output (short-circuit-proof) for solenoid valve
- Hand sequence switch on the unit

Options / accessories

- Electronic or mechanic foil end warning system
- Foil guide shield
- Mounting systems
- Print types, numbering devices and individual printing blocks
- Color foils, matching the unit and the respective material

Unit variants

- Variant R - with print head to the right (see picture)
- Variant L - with print head to the left
- Unit dimensions: 360 x 163 x 168 mm, L x W x H

Technical Data

Dimensions:	360 x 144 x 188 mm, L x W x H
Printing area:	up to 50 x 80 mm
Capacity:	up to 180 prints / min. - depending on material and effective printing area
Color foil length:	max. 305 m, ø 110 mm
Foil advance:	2 - 50 mm - infinitely variable
Print pressure:	1180 N at 6 bar
Type of drive:	pneumatic
Air supply:	min. 4 - max. 6 bar, ø 6/4 mm
Air consumption:	approx. 0.24 l per printing cycle
Electric control:	42 V AC ± 15%, 50 / 60 Hz, 260 VA
Safety classification:	I
Temperature:	363 - 473 K (90° - 200° C) - infinitely variable
Dwelling time:	approx. 20 - 750 ms - infinitely variable

subject to technical modification